

SERBATOI VERTICALI - VERTICAL TANKS



DATI GENERALI - GENERAL DATA

Capacità: 15-900 Lt.

Pressione: 11-15 bar

Test: 87/404CE

Materiale: acciaio al carbonio

Finitura: grezzo - verniciato RAL 5015 - zincato

Capacity: 15-900 Lt.

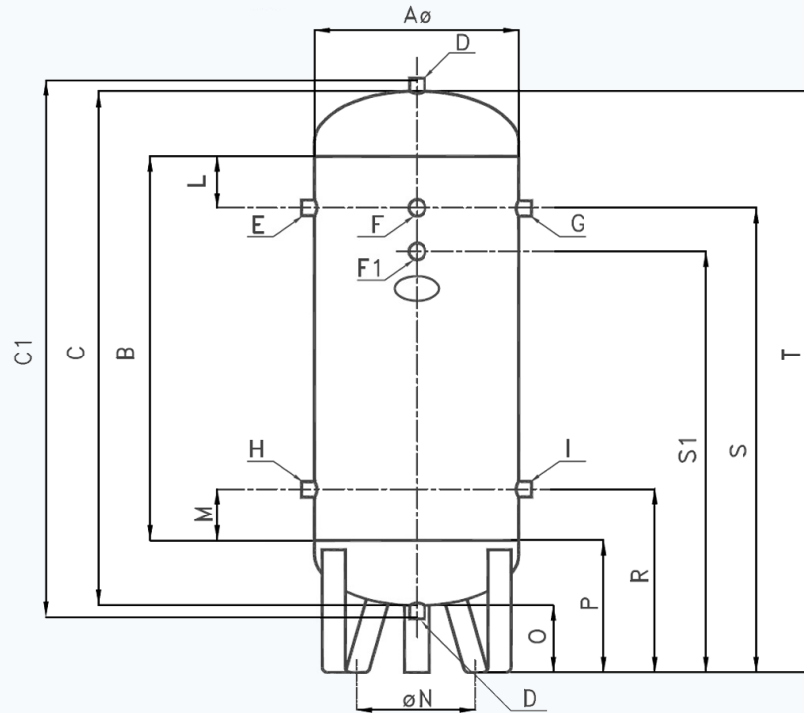
Pressure: 11-15 bar

Testing: 87/404CE

Material: carbon steel

Finishing: un painted - painted RAL 5015 - galvanized

DISEGNO TECNICO TECHNICAL DRAWING



SERBATOI VERTICALI - VERTICAL TANKS

litri*	press bar	A mm	B mm	C mm	C1 mm	D	E	F	F1	G	H	I	L mm	M mm	N mm	O mm	P mm	R mm	S mm	S1 mm	T mm
15	11-15	210	450	574	616	1/2"	1/2"	3/8"	--	--	--	1/2"	100	100	165	72	134	234	484	--	644
25c	11-15	240	420	544	576	1/2"	1/2"	3/8"	--	--	--	1/2"	100	100	196	78	140	240	465	--	621
50c	11-15	300	590	774	806	1/2"	1/2"	3/8"	--	--	--	1/2"	100	100	252	152	244	344	734	--	925
100c	11-15	370	800	1010	1042	1/2"	3/4"	3/8"	--	3/4"	3/4"	3/4"	100	100	328	143	248	348	950	--	1151
150	11-15	400	1000	1224	1256	1/2"	1"	3/8"	--	1"	1"	1"	150	150	366	140	252	402	1103	--	1360
200	11-15	440	1100	1350	1382	1/2"	1"	3/8"	--	1"	1"	1"	150	150	406	135	260	410	1210	--	1483
270	11-15	490	1150	1456	1488	1/2"	1"	3/8"	--	1"	1"	1"	150	150	440	200	353	503	1356	--	1650
300	10-15	490	1300	1606	1638	1/2"	1"	3/8"	--	1"	1"	1"	150	150	440	200	353	503	1503	--	1800
500	11-15	600	1500	1856	1898	1"	1"	1/2"	--	1"	1"	1"	200	200	536	184	362	562	1664	--	2054
725	10,8	800	1150	1620	1700	2"	1 1/2"	3/4"	3/8"	1 1/2"	1 1/2"	1 1/2"	150	255	740	200	435	690	1440	1240	1820
900	11	800	1500	1977	2057	2"	2"	3/4"	3/8"	2"	2"	2"	240	365	740	200	435	800	1800	1600	2170

* capacità- capacity