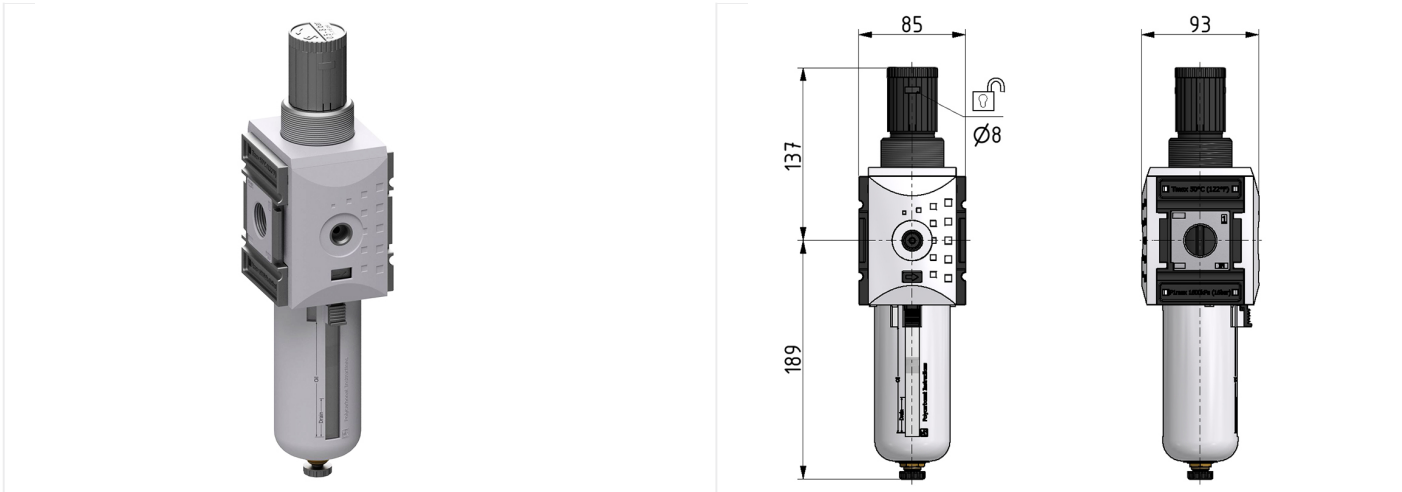
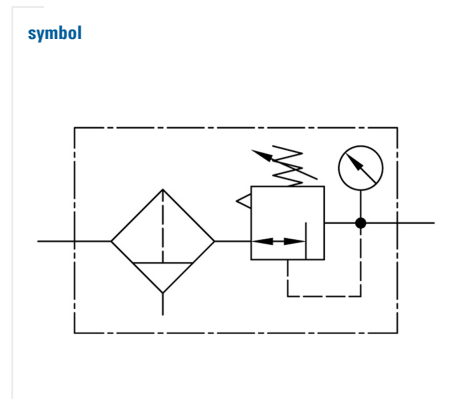
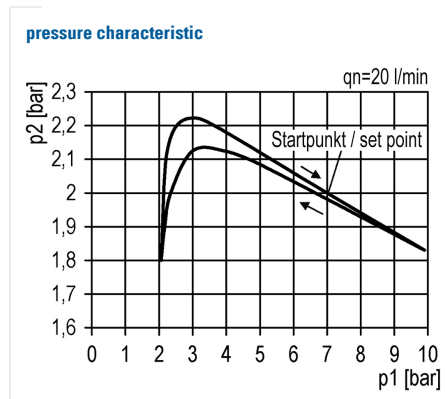
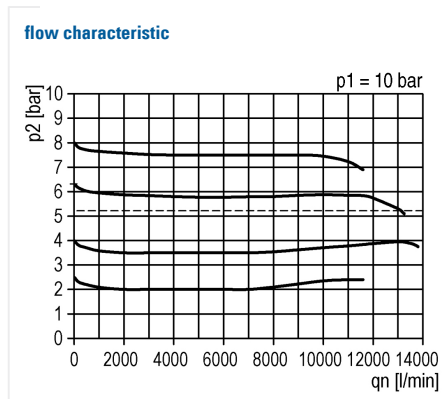


## Filter regulator of the Futura series

Filter regulator G3/4 0,5-10 5µm with PC bowl, bowl guard and semi automatic drain



type	part-number	series	port size	flow rate	adjustment range P2 max.	weight
KFRG-434/10	92104.FF06	Futura	G 3/4	13000 l/min	10 bar	1.204 kg



**technical data**

- **description:** sinter filter centrifugal principle, pilot controlled diaphragm-type pressure with relieving feature
- **medium:** compressed air, neutral gases
- **supply pressure P1 min.:** 1,5 bar
- **supply pressure P1 max.:** 16 bar
- **temperature range:** -10°C - +50°C
- **bowl:** PC with PA bowl guard
- **drain:** HA
- **locking:** lockable setting knob
- **mounting:** vertical
- **filter element:** 5 µm
- **air consumption:** max. 1,5 l/min

**accessories**



- mounting bracket:  
[KBW.4-1225](#)



- coupling kit wall mounting:  
[KKOP.4W](#)

- control panel mounting:  
control panel nut C.33-42

- rotary lock: VH.31 without key or VH.32 with key